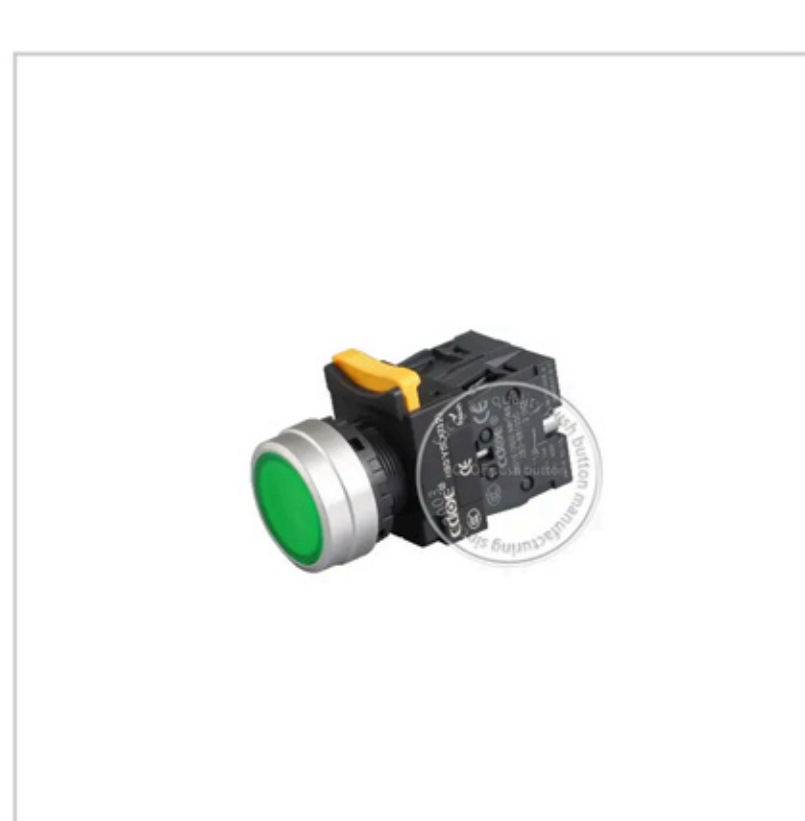


CDOE 201 series IP65 normally open plastic push button switch 22mm 10a 660v

- CATEGORIES**
- New Products Switch
  - High current button switch
  - Push Button Switch
  - Micro Travel PushButton
  - Touch Switch And Piezo Switch
  - Emergency Stop Switch
  - Indicator Light
  - Key switch and Rotary switch
  - Buzzer
  - Switch Accessories



**SHORT DESCRIPTION:**

**Product Model:** HBDY5-KW-11/201  
**Mounting Hole Size:** 22MM  
**Switch Value:** Ith: 10A, UI: 600V  
**Operation Type:** Momentary, Latching  
**Min.Order Quantity:** 10 Piece/Pieces  
**Method Of Payment:** T/T(Wire transfer), Paypal, Credit card  
**Related video:** [Click](#)  
**Available equipment:** Elevators, charging piles, automation equipment, motor vehicles, yachts, access control, automatic guided vehicles, lathes, lifts, lawn mowers

- FEATURED PRODUCTS**
- Chinese manufacturer button...
  - industrial button product 1...
  - push button suppliers 22mm ...
  - custom buttons 19MM Aluminu...
  - push to start 22mm mushroom...

**Main selling**

- Metal push button
- Signal lamp
- High current switch(Xb2,LA38)
- Micro button switch
- Emergency stop pushbutton

**CDOE Push Button**  
Focus on Quality Push Button manufacturing since 2003

**Product description:**

**Experience Versatility and Performance**  
 Step into a realm of versatile control solutions with our Push Button 10A switches. Designed with a 22mm mounting hole and crafted from durable plastic, these switches offer reliability and performance for a wide range of applications.

**Robust Ratings for Dependable Operation**  
 With a 10A/600V rating, our switches are engineered to handle demanding loads with ease, ensuring dependable operation even in challenging environments. Whether it's a momentary or latching operation, these switches deliver consistent performance.

**Flexible Contact Configurations**  
 Featuring 1NO, 1NC, and 1NO1NC contact types with screw terminals, our switches offer versatile options for wiring configurations, catering to your specific needs with ease.

**Customize Your Control**  
 Choose from a range of head colors including Red, Green, and Blue, and head types such as Flat head, High head, Mushroom head, Rotary switch, Key switch, and Emergency stop. Personalize your control panel to match your preferences and requirements.

**Enhance Your Control Solutions Today**  
 Elevate your control experience with our Push Button 10A switches. Whether it's for industrial machinery, automation systems, or consumer electronics, trust in our switches to deliver unmatched versatility, reliability, and performance.



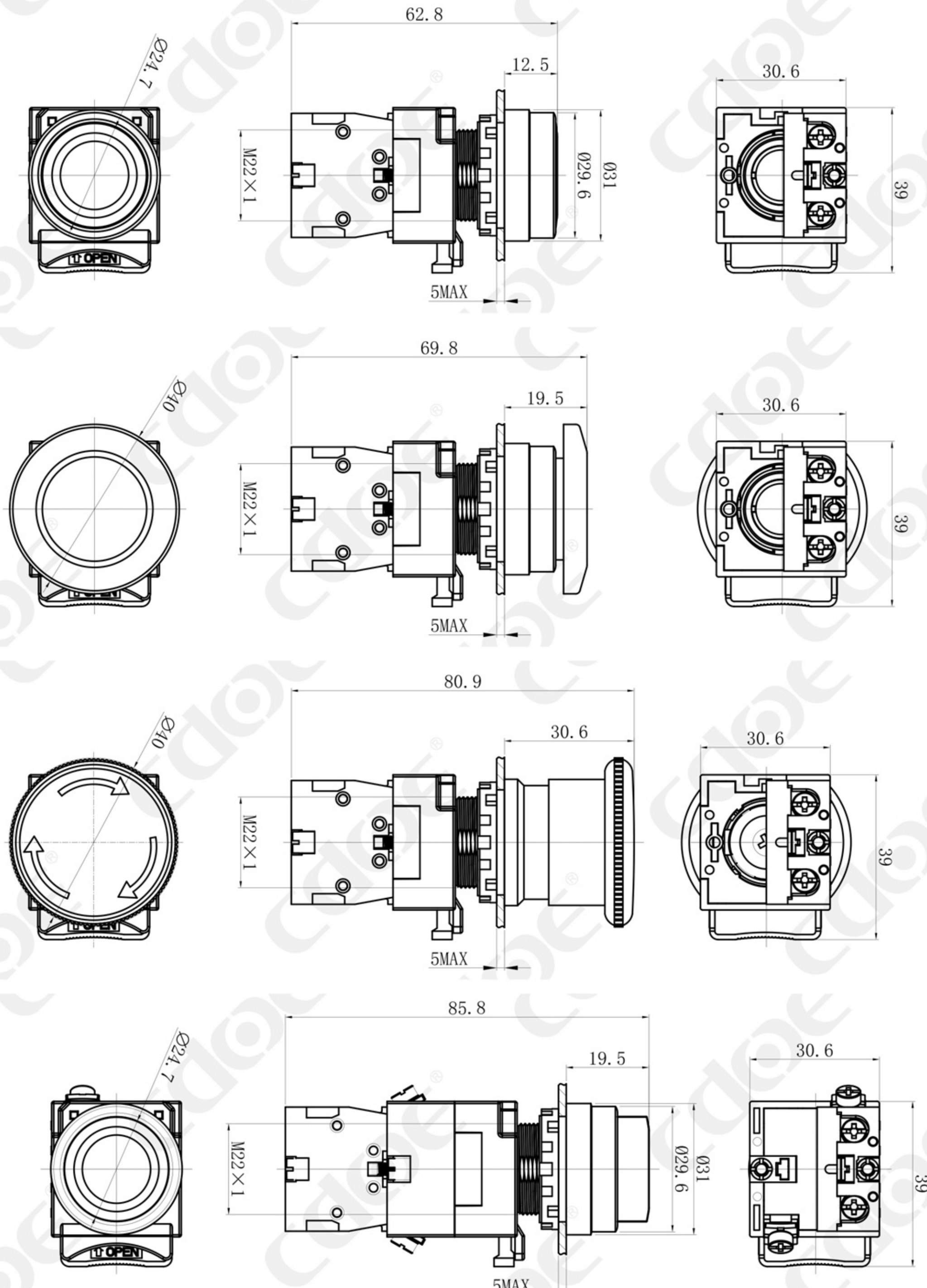
**Product Model Specification:**

**Model Description:** HBDY5- ☆ - □ - ◻ - ◆ - ● - ○ - ▲ - △

For example: HBDY5-KA-10DZ/C/DC6V/R

HBDY5	Series number	Yueqing Dahe company internal product code
☆	Mounting hole size	KA: Plastic head; KB: Metal head; KS: φ30 Metal head
□	Contact combination	10: 1NO; 01: 1NC; 11: 1NO1NC; 22: 2NO2NC; 33: 3NO3NC; 44: 4NO4NC
◻	LED type	No letters: Flat head without LED; D: Flat round head with LED; G: High head without LED; GD: High head with LED; F: Colored Ring (Metal head); E: Ring LED (Metal head); M: Mushroom head without LED; MD:Mushroom head with LED; PT: Customized symbol without LED(Plastic); DPT: Customized symbol with LED(Plastic)
■	Operation type	No letters: Momentary; Z: Latching; X: Selector (Rotary) switch without LED; Y: Key switch; TSA: Emergency stop switch (φ30mm head); TS: Emergency stop switch (φ40mm head); TSD: Emergency stop switch (φ40mm head); TSC: Emergency stop switch (φ60mm head)
◆	Operation position	◆ Selector switch and key switch operation position: 2: Two position; 3:Three position ● Selector switch and key switch action type: 1: Keep type; 3: Right self-reset and left self-reset;
◎	Head material	C: Chrome-plated brass; S: Stainless steel; T: Aluminum alloy
▲	LED voltage	AC/DC6V; AC/DC12V; AC/DC24V; AC/DC36V; AC/DC110V; AC/DC220V
△	LED color	■ R:Red ■ G:Green ■ Y:Yellow ■ O:Orange ■ B:Blue ■ W:White

**Product Size:**



**Technical Parameter:**

HBDY5-KW-11(10)/201 series push button 10a	
Product model :	HBDY5-KW-11(10)/201 series
Mounting hole size :	22mm
Switch value:	Ith:10A,UI:600V
Operation type:	Momentary,Latching
Contact configuration:	1NO,1NC,1NO1NC,2NO2NC
Appearance material:	Head:Plastic; Switch button surface:PC; Contact:Silver alloy;
Terminal type:	Screw terminal
Head type:	Flat head,High head,Mushroom head,Emergency stop,..etc